

## WHAT YOU WILL NEED

GUTTERS AND FITTINGS	QTY.*
Gutter - 10'	10
Gutter hanger	50
"A" elbow - 2" x 3"	6
"B" elbow - 2" x 3"	
Elbow - 2" round	1
Inside box mitre	3
Outside box mitre	3
Left end cap	1
Right end cap	1

## DOWNPIPES AND FITTINGS

Downpipe - 10'	3
Strap	
Leaf Strainer with Outlet	3
or 2" x 3" Outlet	3

## ACCESSORIES

Trim nails - aluminum (1/4 lb box)	5
Self-piercing screws (12 per bag)	7
Caulking sealant	4
Wire leaf strainer	3
Gutter Capping - 4'	25

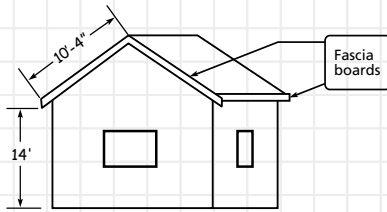
## SOFFIT AND FASCIA

Soffit - 10'	18
Fascia cover - 1" x 6" x 10'	
Fascia cover - 2" x 6" x 10'	12
Fascia cover - 2" x 8" x 10'	
J-trim - 10'	24
Sill trim - 10'	3

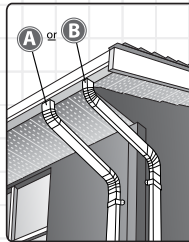
\* Based on example shown

## Sample Layout

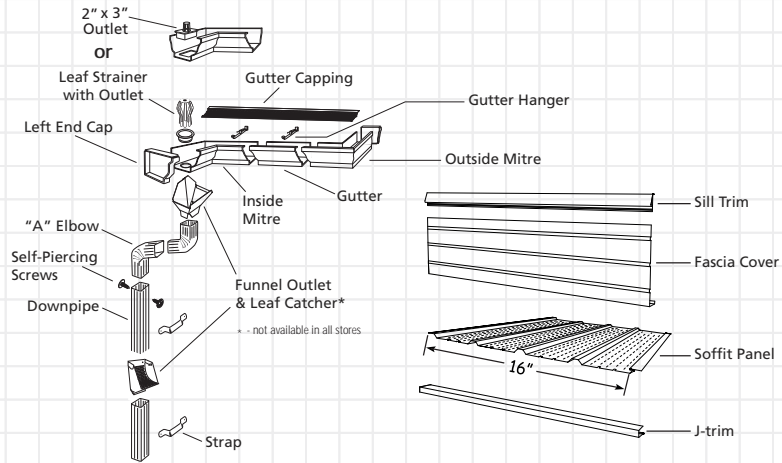
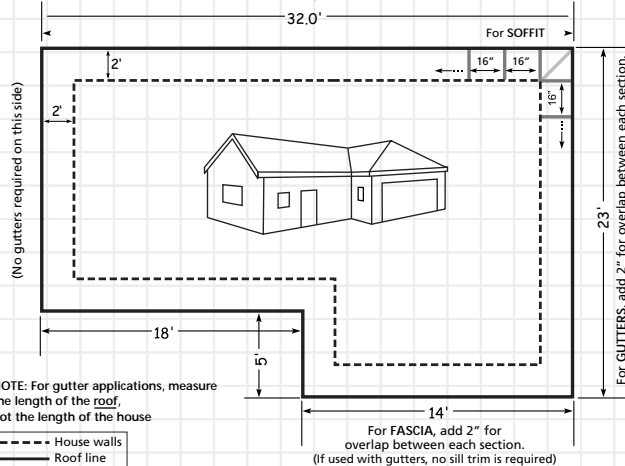
(see reverse for working copy)



Use "A" or "B" ELBOWS depending on application



## How to measure...



## NOTES

- Sill trim is not required in areas of gutter applications.
- Apply fascia covers on all fascia boards around the perimeter of the house.
- Fascia covers should overlap by 2".
- Gutter and downpipe sections require overlap of at least 3" - plan purchases accordingly.
- Gutter hangers should be attached to gutter section every 2'.
- Use either Leaf Strainer with Outlet or Funnel Outlet & Leaf Catcher - not both
- Use at least two straps for every 10' of downpipe.
- Install downpipe for each 30' to 50' of gutter while considering such factors as the location of drain tiles, ground conditions and slope.
- Use gutter guard and leaf strainers to help prevent clogging and backup.

Refer to the installation guides for additional and detailed instructions.

## ⚠ WARNING

Before beginning work, engage professionals: (i) to ensure that these products are appropriate for your intended application, that the structural components for which these products are to be used in connection with are sound and that the work areas are safe and free from all potential hazards including utilities and other services; (ii) to determine how to work safely above ground level and to identify the appropriate apparatus and security harness to be used; and (iii) to provide clarification if these warnings are unclear or you do not understand any of the information in the installation instructions for these products. Comply with all applicable building codes. Work in a safe manner. Building codes may vary. Either before, during or after cutting, metal components may have sharp edges which could fragment. When using tools always comply with the applicable user manuals and instructions. Everyone in the vicinity of any work area must wear appropriate protective gear including gloves, footwear, eyewear, hardhat and appropriate clothing. When working above ground level never use these products to support your weight and use appropriate safety apparatus including an appropriate security harness. Do not use these products in connection with wood that has been treated with Ammoniacal Copper Quaternary (ACQ) or with any other substance that is harmful to these products. Inspect and maintain these products and the structural components that they are used in connection with on a regular basis using professionals when appropriate. Inspection and maintenance includes, but is not limited to, checking for and removing leaves, debris, ice and snow buildup and identifying and repairing cracks, tears, leakage and other damage.

## ⚠ CAUTION SHARP EDGES

⚠ WARNING This product has sharp corners and edges that could easily cause injury. Always handle with extreme caution and use protective clothing / gloves. Always ask store personnel for assistance before handling this product.